

**NEW JERSEY
ROYAL RANGERS
WINTER DAY**

January 15, 2006

To: District, Sectional Staff & Sr. Commanders:

Dear Commander;

This letter is being sent to every senior commander as an invitation to attend the January 27th & 28th Royal Rangers Winter Day camp out & Winter Day Activities. Please notify all those in your outpost of this event.

The Winter Day this year will be held at Malaga's Pine Grove Camp. The Winter Day activities will start at the assembly area by the Tabernacle on Saturday and concluding at the Council Fire Area next to the Tabernacle. Each Outpost will be responsible for their food.

The registration is \$8.00 per each attendee. The cost is the same for everyone even if you plan to arrive on Friday night. There are **NO** lean-to shelters please bring tents. Bob Mitchell will be responsible for assigning the camp sites, please contact Bob @ (856) 358-8530.

In order to compete in the Winter Day activities each outpost must bring all the items listed below. We tried to keep the list short. An outpost may enter more than one Patrol (4 to 8 boys in a Patrol). The purpose of the activities is for the Outpost to work together and have fun.

Some of the Winter Day activities are taken from the Royal Rangers Outpost Activities Book. They are listed as follows but not necessarily in the order that they will be done. You will be assigned times to participate in each activity. Because we want to have fun and not be stuck in the same activity forever we will be rotating to the next activity every 20-25 mins. This will keep the boys constantly moving.

Station #1 (Obstacle Course) Built in 2003, this is not your Father's Obstacle Course. See pg 4

Station #2. (Rope Craft) Each boy on a team must tie at least 3 knot's on a string board. Avg time for team will be kept at this event.

Station #3. (Compass Course) Teams will be given a set of directions and a compass course.

Station #4 (First Aid) Do first aid for broken leg and then carry using a stretcher 50 feet.

Station #5 (Fire Craft, String Burn) Build a fire using a match until it burns apart the string above the fire. Once the string is broken the team can start preparing lunch. Successfully prepare lunch.

Station #6 (Fishing) This will require your boys to lash to poles together to catch a artificial fish.

Station #7 (Group Obstacle Course) The army says "Leave No One Behind", will you?

2006 WINTER DAY ITEMS NEEDED:

- 1) Your outpost flag or something that states what patrol you are
- 2) Yukon Sled or Blanket Stretcher to carry your equipment from Station to Station.
- 3) Matches
- 4) Dry Tinder/kindling-you may also collect this during the competition if you don't have enough. Each team must have their own.
- 5) Dry wood firewood for cooking their lunch.
- 6) Something to keep your firewood and food materials in. Please remember this will be carried on your Blanket Stretcher or Yukon sled from station to station.
- 7) Hot Dogs & Rolls / Hot Chocolate for outpost
- 8) 1 #10 can with potholders. **This will be used to cook your Hot Dogs and Hot Chocolate in.** If you want to bring your wife's saucepan, that would be fine also.
- 9) Cups, Hot Dog fixings (Ketchup, Mustard, etc) for your outpost. Anything else you might want to bring for lunch. Just remember your boys will have to carry it.

Optional

- 10) 1-Adventures in Camping handbook, one/ each team

Winter Day Schedule

January 27, 2006

4PM to 11PMSetup Camp

January 28, 2006

7:00AM..... Breakfast

9:00AM..... Registration

9:30AM..... Assembly & Devotions @ Flag Pole

10:00AM..... Competitions begins

11:30AM Lunch

1:00 PMComplete activities

2:30PM..... Council Fire, Awards Service & Closing

3:30PM..... Winter Day Closing

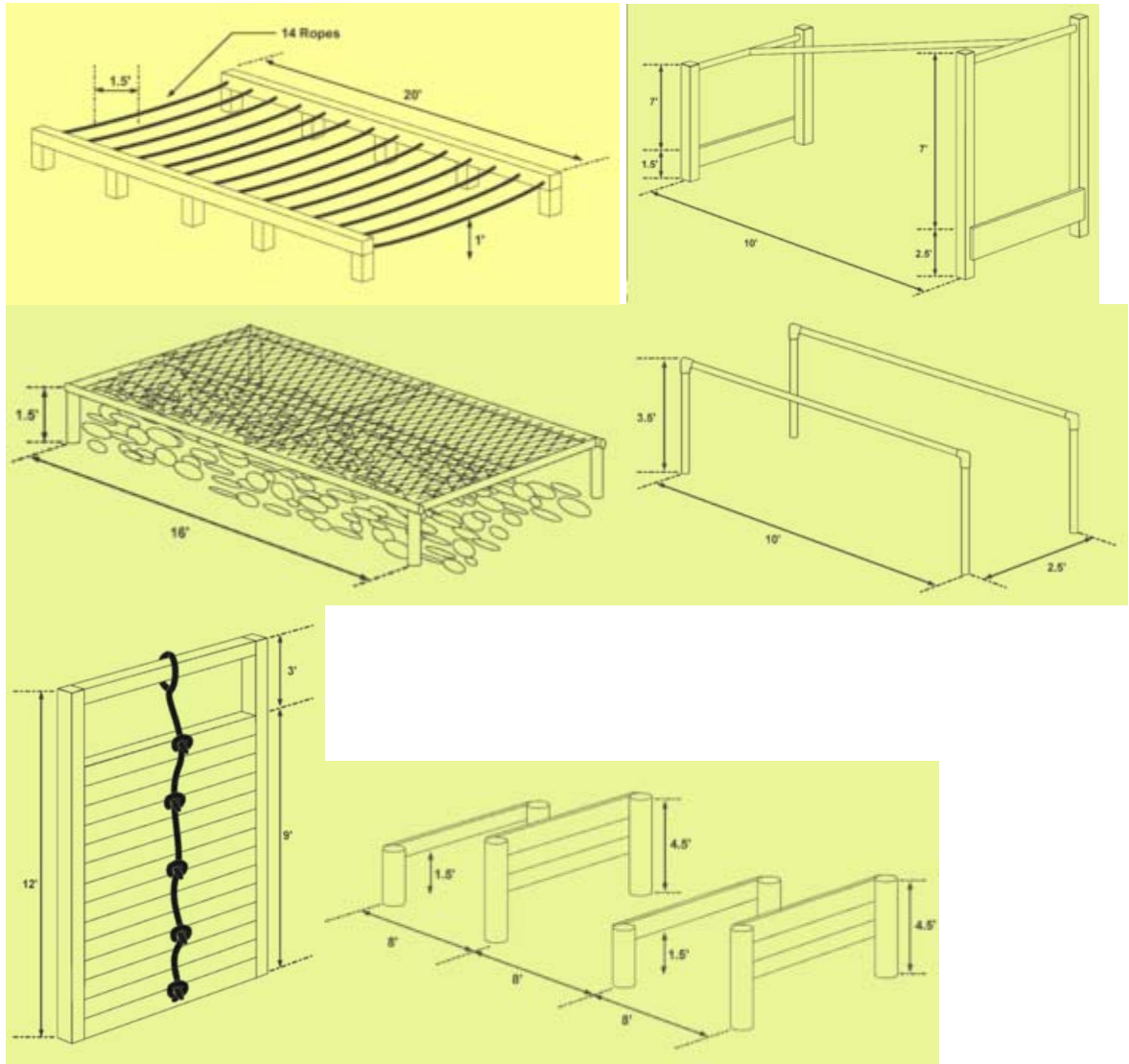
The scenario assignments are as follows:

- Southern Section Compass course.
 Group Obstacle Course
- West Central Section Fishing
 First Aid
 RopeCraft
- Southern and West Central Obstacle Course (Individual)
 String Burn / Lunch

The competition and Winter Day responsibilities are as follows:

- 1) Winter Day Coordinator, Sectional Cmdrs
- 2) Camp site assignment, Bob Mitchell.
- 3) Registration, Sectional Cmdrs
- 4) Each outpost will be responsible for providing their Outpost with a hot lunch

Obstacle Courses



Group Obstacle Courses (Looks easy until you do it)

